

# *miniSKY* Presentation of the system

*Narrow · reliable · minimally invasive*

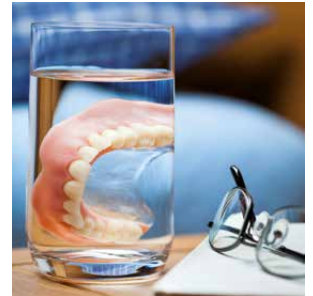


# miniSKY

*Patient selection and advantages*

## Prosthesis fixation

With miniSKY, bredent medical offers an implant that is reduced in diameter and perfectly suited to prosthesis fixation due to its technical properties.



## Restoration of narrow single-tooth gaps

miniSKY is perfectly suited to restoration of narrow single-tooth gaps. In the case of low bone availability and despite residual dentition, patients can be treated with a highly-aesthetic solution for the edentulous space.



## The advantages of miniSKY

### *Dentition*

Often long edentulous or inconvenient residual dentition not worth saving.

### *Available bone*

Often severely atrophied jaw. Treatment with standard implants cannot be carried out or can only be carried out by means of augmentation.

### *Prosthesis*

Unsteady, mucosa-supported full prosthesis. Pressure points and areas of inflammation present.

### *General health*

Prevents any complex surgical procedures under anaesthesia.

### *Financial resources*

Limited. Treatment with standard implants and costly bone enhancements are not possible for reasons of cost.

### *Ease of cleaning*

Only possible to a limited extent – therefore simple handling required.

### *Nutrition*

Chewing of firm food is difficult. Significant anxiety that the prosthesis will fall out.

### *Quality of life*

Low self-confidence. Often also resulting in psychological problems.

# miniSKY

## Testimonials

*„With miniSKY, we restore the proper function of existing dentures in our senior and edentulous patients!“*



**PD Dr. Jörg Neugebauer**

Landsberg / University of Cologne

For more than nine years, our practice has been using the miniSKY system to fix dentures with and without immediate restoration. The results demonstrate a stable bone level and high patient satisfaction\*.

\*Dr. Henrich N., Dr. Weiss M., PD Dr. Neugebauer J., Implants with reduced diameters - transitional solution or minimally invasive alternative?



**Dr. Klaus Krischan**

Liezen



**Dr. Christian Krempel**

Leibnitz

With the miniSKY system, we can provide patients with high-quality restorations who otherwise decide against implant therapy for cost reasons.

## miniSKY

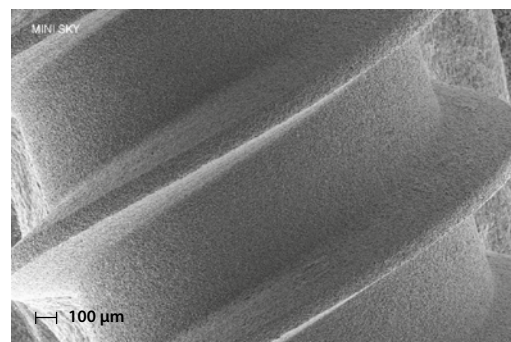
Implant and surface design



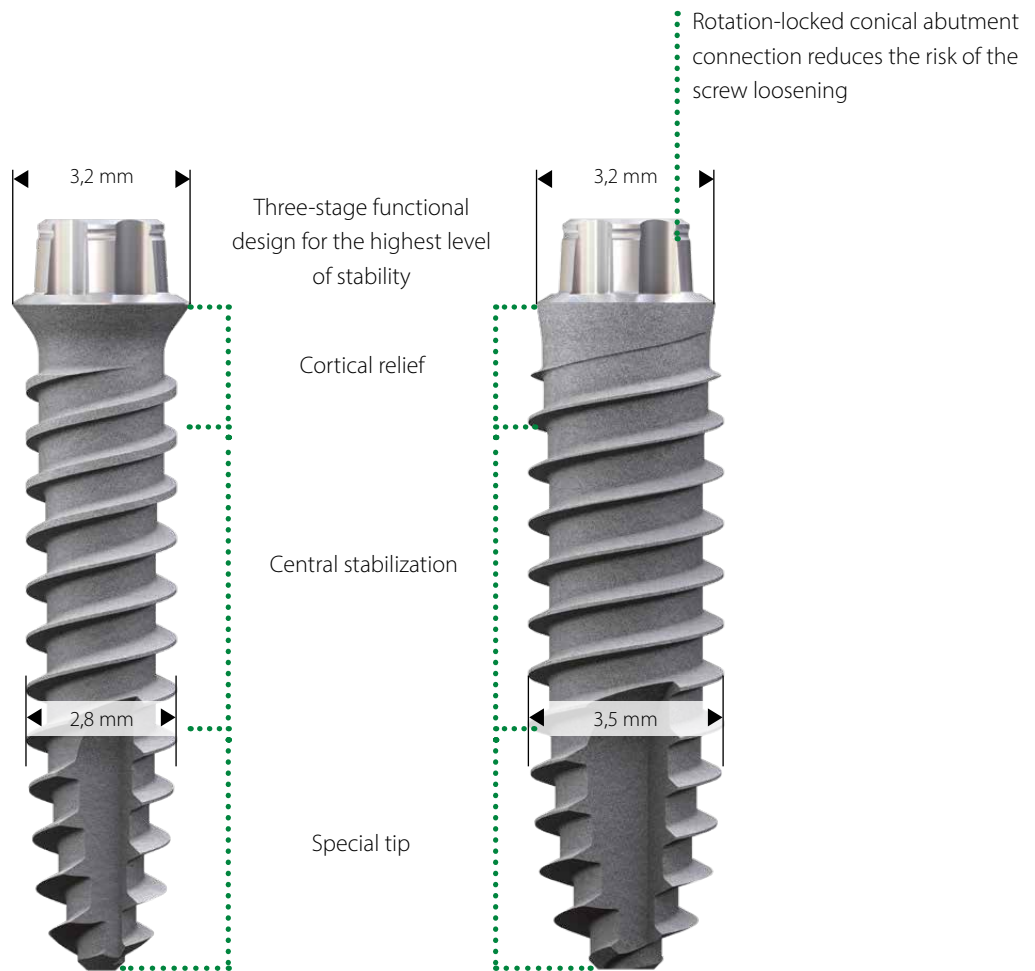
### osseo connect surface (ocs)

The mini<sup>1</sup>SKY and mini<sup>2</sup>SKY implants have the tried-and-tested osseo-connect surface (ocs) of the blueSKY, classicSKY, narrowSKY and copaSKY implants, which ensures optimal osseointegration.

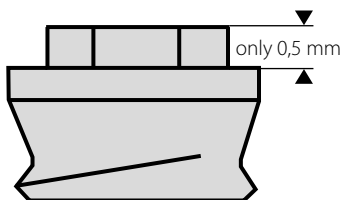
The uniform coarse surface provides ideal prerequisites for the accumulation of the osteoblasts.



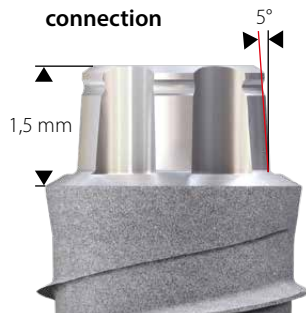
**mini<sup>2</sup>  
SKY** ✦



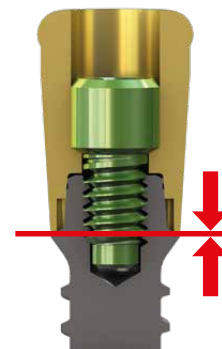
**Competing implant abutment connection**



**mini<sup>2</sup>SKY implant abutment connection**



- High implant abutment connection
- Minimal movement due to 5° cone
- Exceptional stability



Definitive positioning of the abutment

# Prosthetic options for prosthesis fixation ...

6

... with mini<sup>2</sup>SKY TiSi.snap with retention.sil – the economical alternative



- The hold of the prosthesis is guaranteed with retention.sil prosthesis silicone
- Friction can be selected individually in 3 hardness grades
- Resilient restoration with a high level of wearing comfort

- Low costs for patients
- Existing prosthesis can be reused
- The TiSi.snap abutments are compatible with the Locator matrices

## Unsurpassed resilience

Resting phase



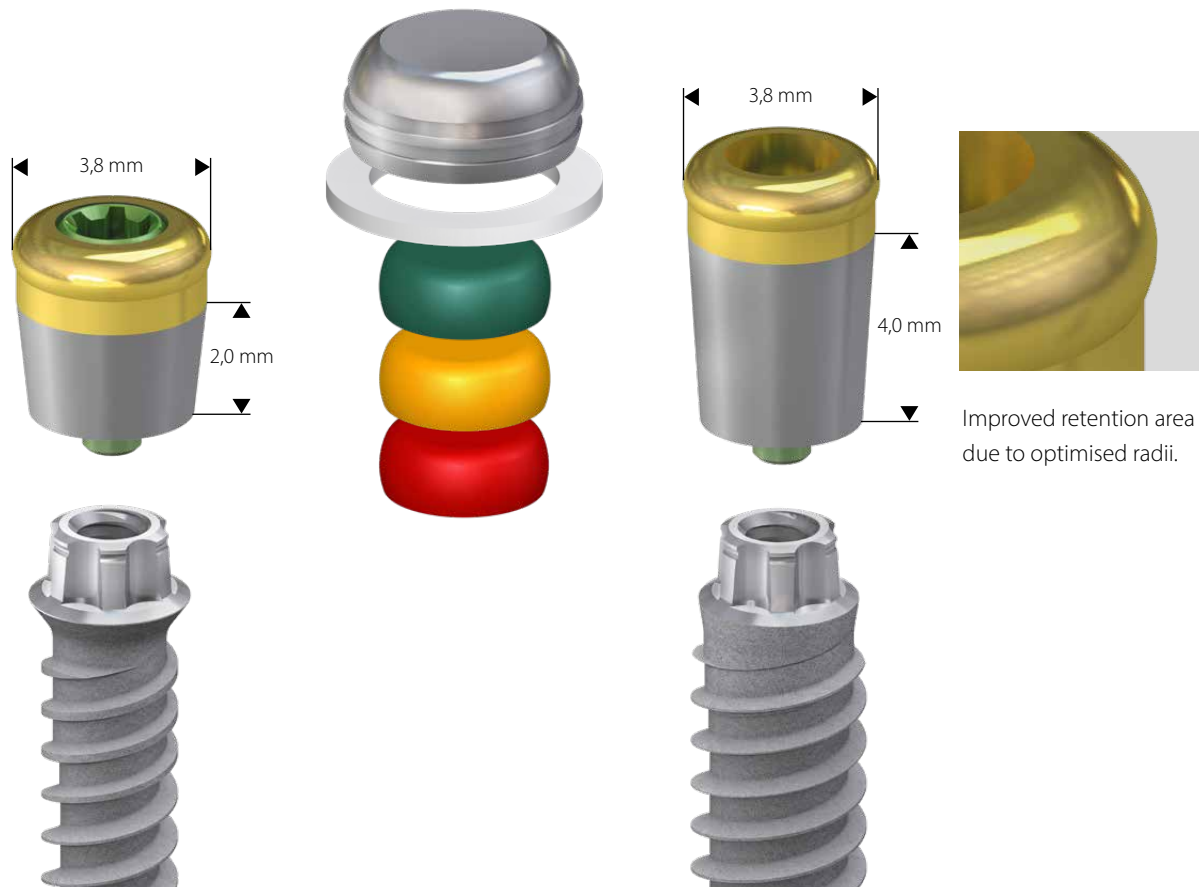
Chewing phase



Resting phase



... with mini<sup>2</sup>SKY retention.loc



Improved retention area due to optimised radii.

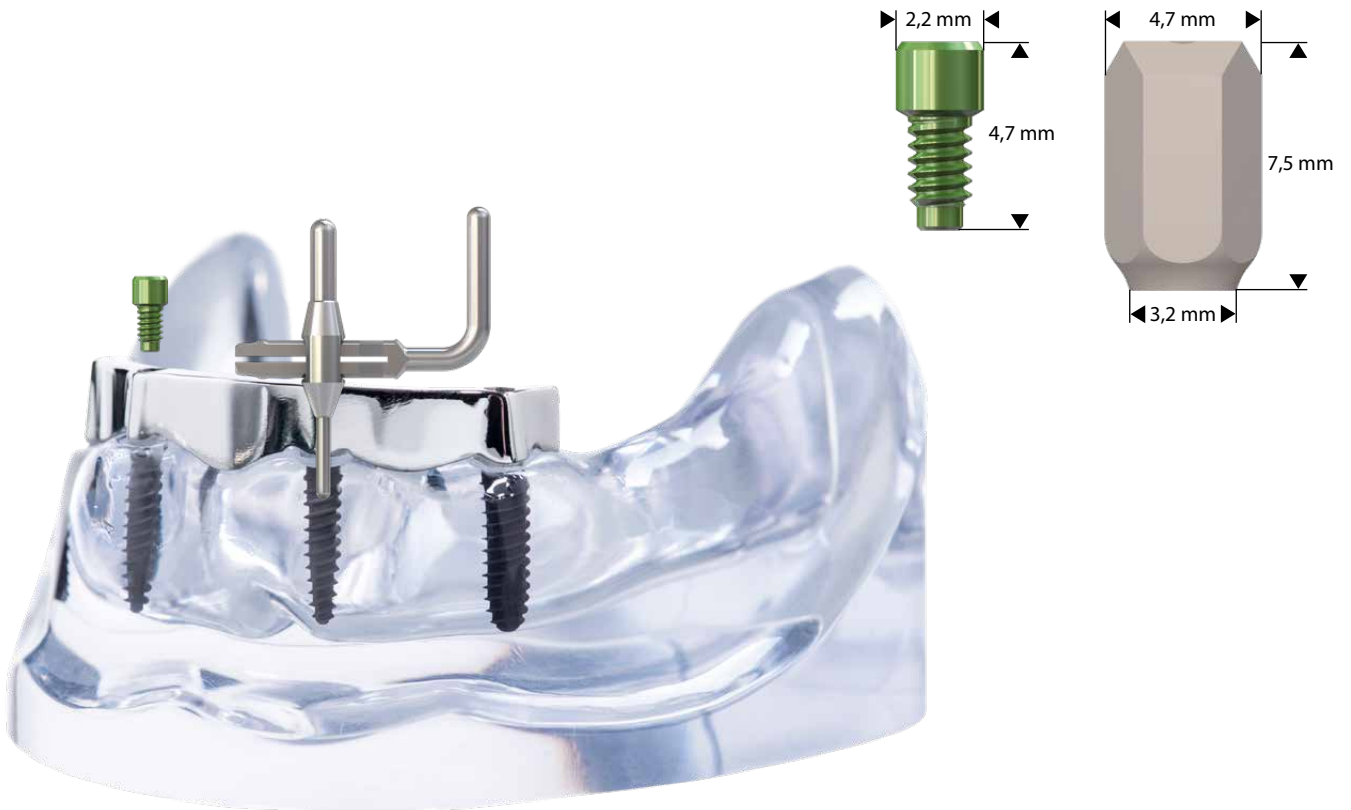
- The solution for fixation of dentures from breident medical
- Available in 2 and 4 mm heights
- Rotation protection prevents loosening of the screw

- Fixation with mini<sup>2</sup>SKY retention screw ensures optimal application of force via the precision torx in the implant
- Original Locator retention protection 20° can be used

# Prosthetic options for prosthesis fixation ...

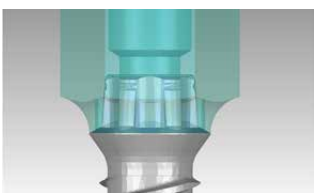
8

... with CAD/CAM manufactured bars – directly screwed



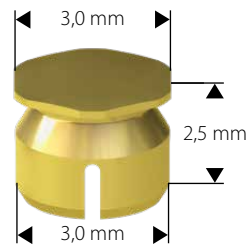
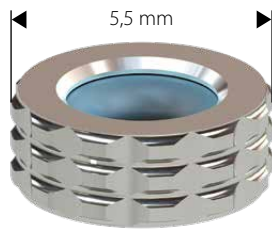
## CAD-Bibliothek

The data necessary for CAD/CAM manufactured planning and manufacture can be found on [www.caelo-dental.net](http://www.caelo-dental.net). or on [bredent-medical.com](http://bredent-medical.com). For this, you can choose the mini<sup>2</sup>SKY scan abutment and the connector geometry of the mini<sup>2</sup>SKY implant. As a high level of precision is presupposed in the manufacturing due to the screw position in the bar, we recommend cooperation with various reference milling centres. Please see our separate offers for this.





... with SKY O-ring housing or SKY precious metal matrix for mini<sup>1</sup>SKY



- The classic in prosthetic fixation
- Tried-and-tested in practice
- Alternatively, also with precious metal matrix with adjustable retention

# Restoration of narrow single-tooth gaps

10

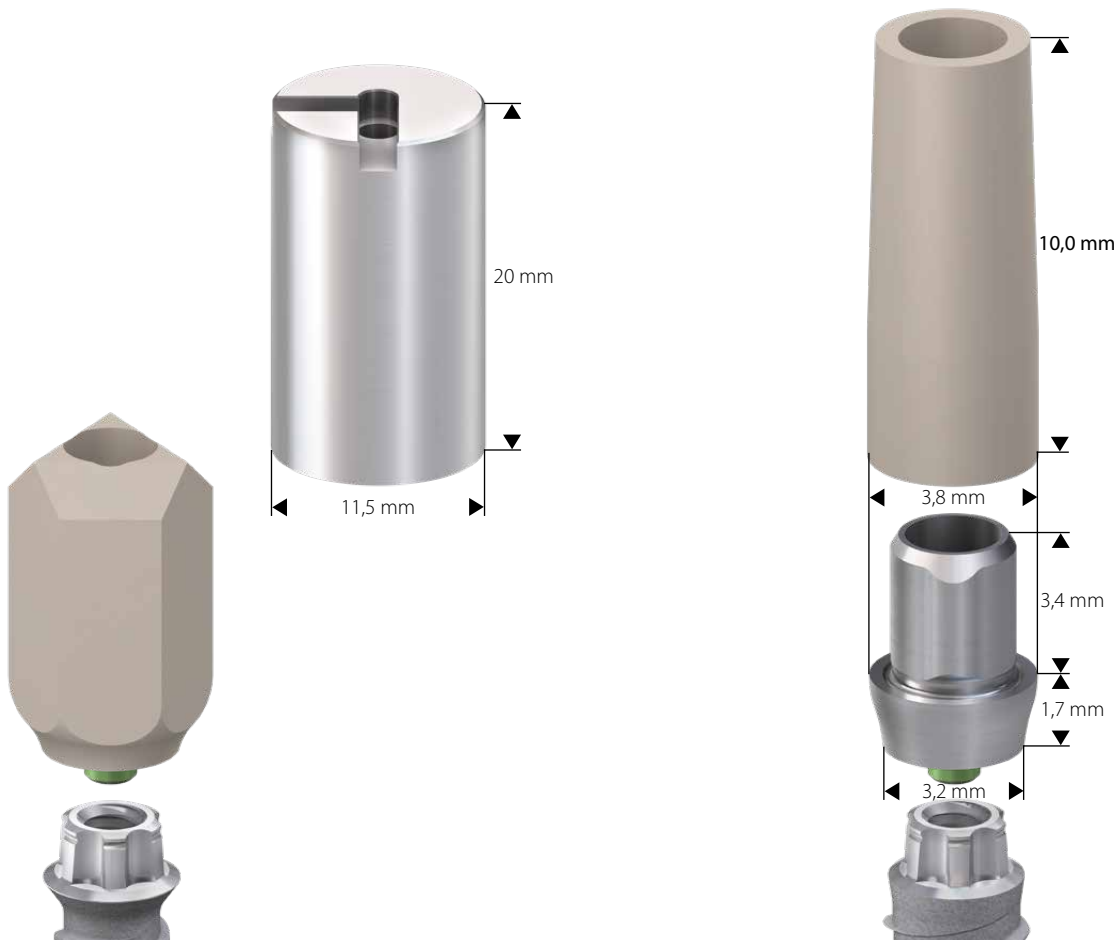
## Standard abutments



- Precision torx ensures optimal load application of abutments in the implant
- Loosening of screws is reduced
- Available in titanium or BioXS versions

- The mini²SKY MD abutments (Multi-Divergence) enable divergence balancing, simply by shortening with no time-consuming grinding
- The prosthetic copings facilitate modelling of the bridge restoration and offer the highest level of precision for tension-free adhesions

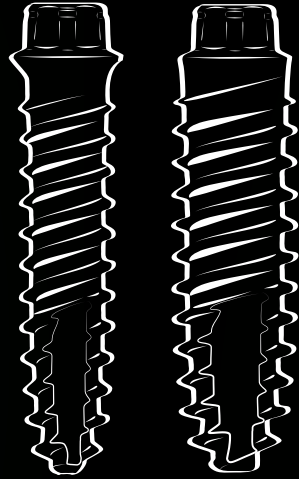
*Individual abutments – analogue and digital*



- Individual abutments in the digital workflow with the mini<sup>2</sup>SKY scan abutment and the mini<sup>2</sup>SKY prefab titanium

- Laboratory-manufactured individual abutments with mini<sup>2</sup>SKY uni.fit and model base
- Optimal aesthetics for the narrow gap

*mini*  
**SKY**   
**IMPLANT SYSTEM**



DENTAL INNOVATIONS  
SINCE 1974

bredent  
group

